

## MPS Magnetic Position Sensor

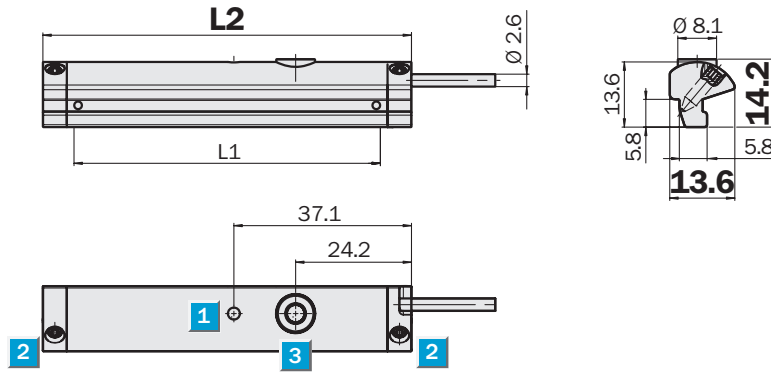


For T-slot cylinder

Magnetic cylinder sensor

- Different measuring ranges up to 128 mm
- Electrical setting of measuring ranges (zero point/end point)
- Minimum blind zones
- Drop-in mounting of sensors is possible
- Extremely compact housing design
- Save mounting by two mounting screws

### Dimensional drawing

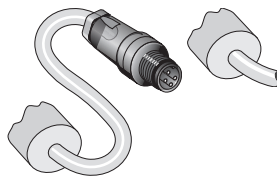


- 1 Status indicator
- 2 Mounting screw SW1.5
- 3 Teach button

Measuring range L1 [mm]	Total length L2 [mm]
32	45
64	77
96	109
128	141

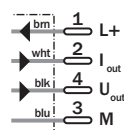
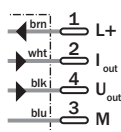
### Connection types

MPS-032TSTPO	MPS-032TSTUO
MPS-064TSTPO	MPS-064TSTUO
MPS-096TSTPO	MPS-096TSTUO
MPS-128TSTPO	MPS-128TSTUO



4-pin, M8

2 m, PUR



Technical data		MPS-	032 TSTPO	032 TSTUO	064 TSTPO	064 TSTUO	096 TSTPO	096 TSTUO	128 TSTPO	128 TSTUO		
<b>Measuring range ± 1 mm</b>	32 mm		■	■								
	64 mm				■	■						
	96 mm						■	■				
	128 mm								■	■		
<b>Electrical configuration</b>	4-wire DC											
<b>Supply voltage V<sub>s</sub></b>	15 ... 30 V DC											
Ripple	10 %											
Sample time	0.5 ms											
Resolution typ.	0.05 mm											
Linearity typ.	0.3 mm											
Repeat accuracy typ.	0.1 mm											
Travel speed	Max. 3 m/s											
Analogue output	Current	4 ... 20 mA										
	Voltage	0 ... 10 V										
<b>Overload protection</b>	✓											
<b>Short-circuit protection</b>	✓											
<b>Reverse polarity protection</b>	✓											
Max. load resistance, current output	500 Ω											
Min. load resistance, voltage input	2 kΩ											
Idle current typ.	25 mA											
EMC	According to EN 60947-5-7											
<b>Connection type</b>	Cable, PUR, 2 m			■		■		■		■		
	Cable with plug, M8 x 1, PUR, 300 mm		■		■		■		■			
<b>Enclosure rating</b>	IP 67											
Shock/vibration stress	30 g, 11 ms/10 ... 55 Hz, 1 mm											
Ambient temperature	-20 ... +70 °C											
<b>Housing material</b>	PA reinforced											
Display LED (Functionel display)	Yellow											

Order information	
Type	Order no.
MPS-032TSTPO	1045666
MPS-032TSTUO	1045667
MPS-064TSTPO	1045668
MPS-064TSTUO	1045669
MPS-096TSTPO	1045670
MPS-096TSTUO	1045671
MPS-128TSTPO	1045672
MPS-128TSTUO	1045673

**Great Britain**  
 Phone +44 (0)1727 83 11 21  
 E-Mail info@sick.co.uk

**USA**  
 Phone +1(952) 941-6780  
 tollfree+1-800-325-7425  
 E-Mail info@sickusa.com

**Australia**  
 Phone +61 3 9497 4100  
 tollfree+1800 33 48 02  
 E-Mail sales@sick.com.au

More representatives and agencies in all major industrial nations at [www.sick.com](http://www.sick.com)

**SICK**  
 Sensor Intelligence.